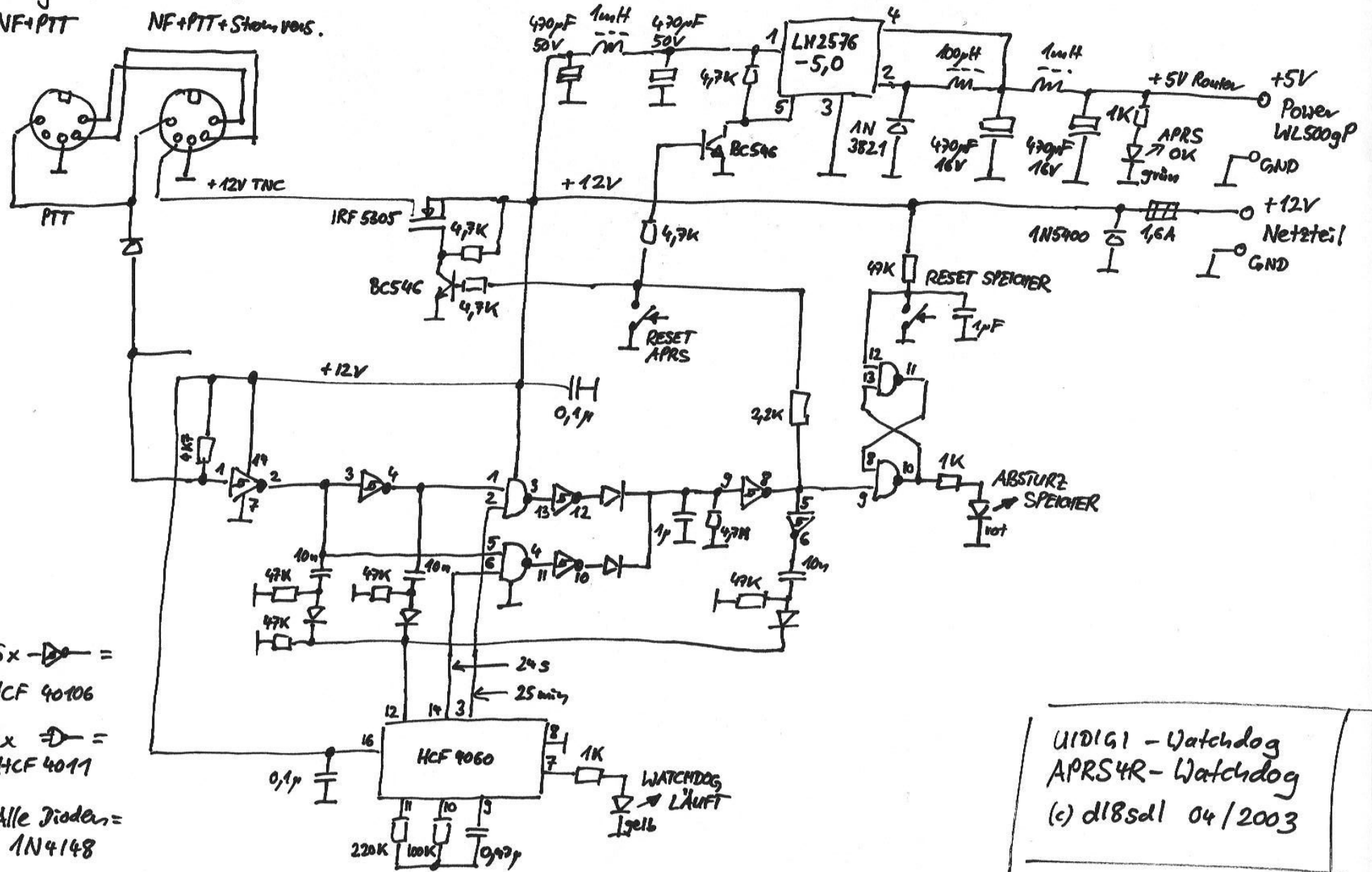


Funkgerät TNC 21  
 NF+PTT NF+PTT+Stromvois.



6x =  
 HCF 40106

4x =  
 HCF 4011

Alle Dioden =  
 1N4148

UIDIG1 - Watchdog  
 APRS4R - Watchdog  
 (c) dl8sd1 04/2003